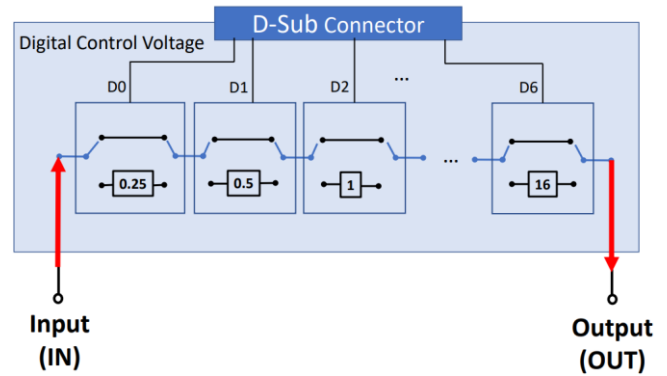




RoHS Compliant



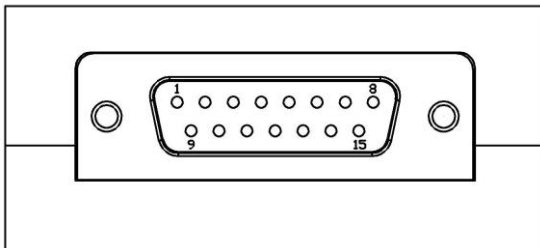
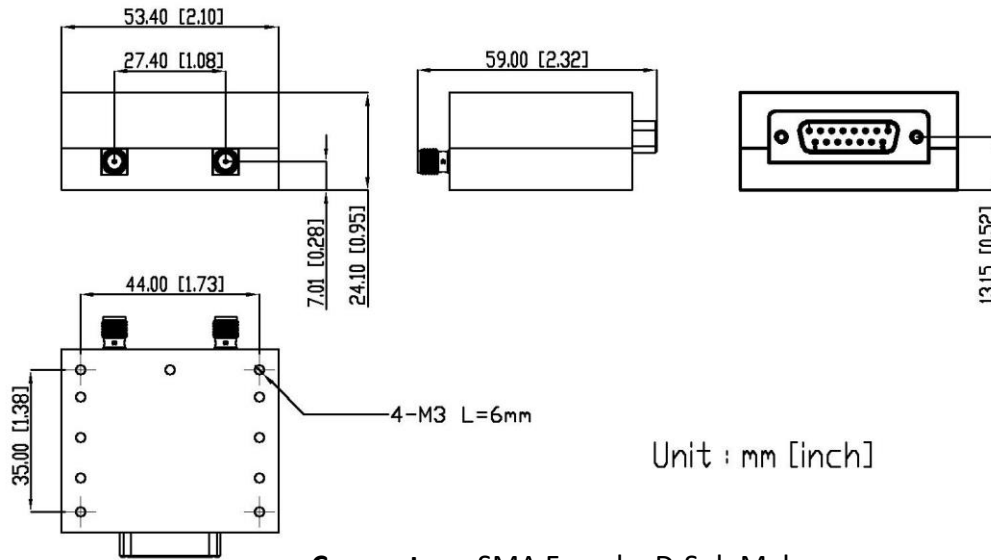
Electrical Schematic

Electrical Specifications

Parameter	Unit	Frequency (MHz)	Conditions	Min.	Typ.	Max.	
Attenuation Range	dB	200 - 6000		0		31.75	
Step	dB					0.25	
Insertion Loss	dB			@ 0 dB Atn.		3.0	3.2
Attenuation Accuracy	dB			@ 0.25 dB Atn.		±0.02	±0.03
				@ 0.5, 1, 2 dB Atn.		±0.08	±0.10
				@ 4, 8, 16 dB Atn.		±0.21	±0.32
				@ 31.75 dB Atn.		±0.94	±1.10
Input Operating Power (RF In and RF Out ports)	dBm						24
IP3 Input	dBm					51	
VSWR	:1		@ 0 dB Atn.	Input		1.53	1.54
				Output		1.48	
Attenuation Transition Time	ns					165	
Supply Voltage Range (V _{DD})	V				3		5.4
Control Voltage Threshold	V		Low	V _{DD} = 3.3 V	0		0.5
				V _{DD} = 5 V	0		0.8
			High	V _{DD} = 3.3 V	2		3.3
		V _{DD} = 5 V		3.5		5	
Digital Control Voltage Range	V			0		V _{DD}	
Supply Current (I _{DD})	mA		V _{DD} = 3.3 V		0.3		
			V _{DD} = 5 V		0.6		

Operated in 50Ω system, 25°C environment.

Outline Drawing



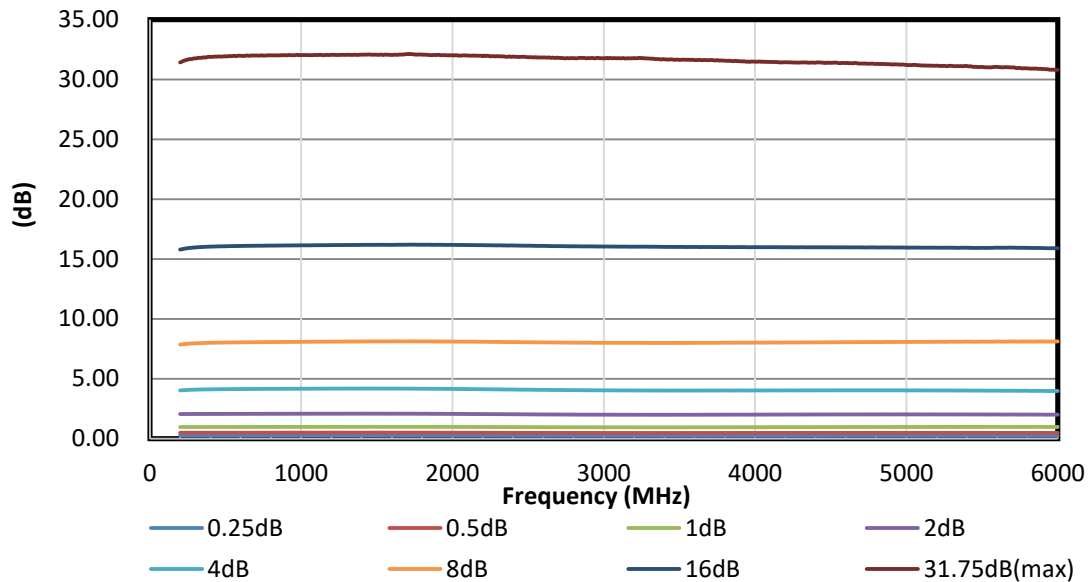
Pin Number Functions

No.	15	14	13	12	11
Func.	D0	D1	D2	D3	D4
No.	10	9	8	7	6
Func.	D5	D6	V _{DD}	N/C	P/S(0V)
No.	5	4	3	2	1
Func.	N/C	N/C	GND	N/C	N/C

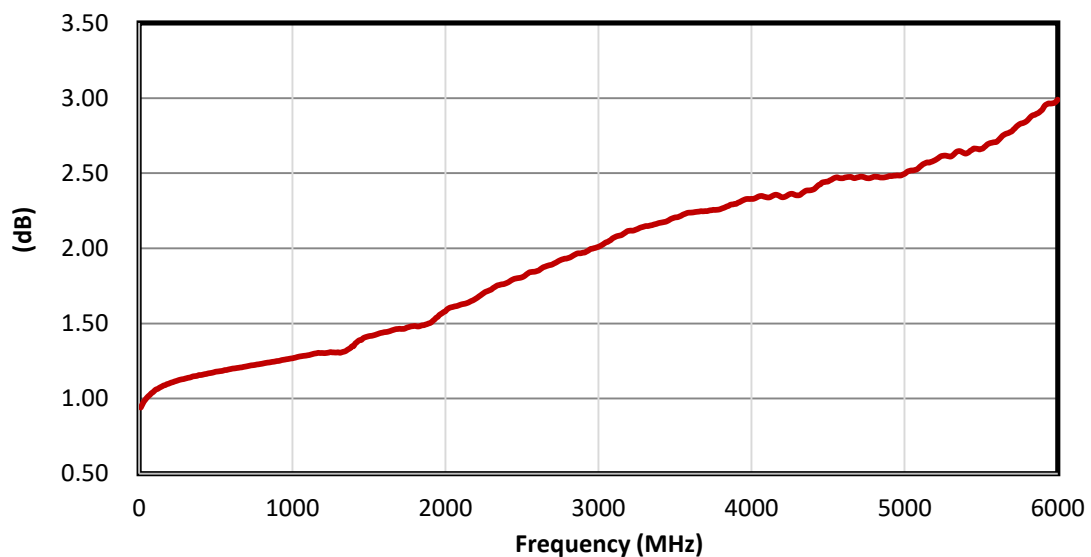
Digital Control Input							Attenuation State (dB)
D0	D1	D2	D3	D4	D5	D6	
Low	Low	Low	Low	Low	Low	Low	0 (reference)
High	Low	Low	Low	Low	Low	Low	0.25
Low	High	Low	Low	Low	Low	Low	0.5
Low	Low	High	Low	Low	Low	Low	1
Low	Low	Low	High	Low	Low	Low	2
Low	Low	Low	Low	High	Low	Low	4
Low	Low	Low	Low	Low	High	Low	8
Low	Low	Low	Low	Low	Low	High	16
High	High	High	High	High	High	High	31.75

Typical Performance

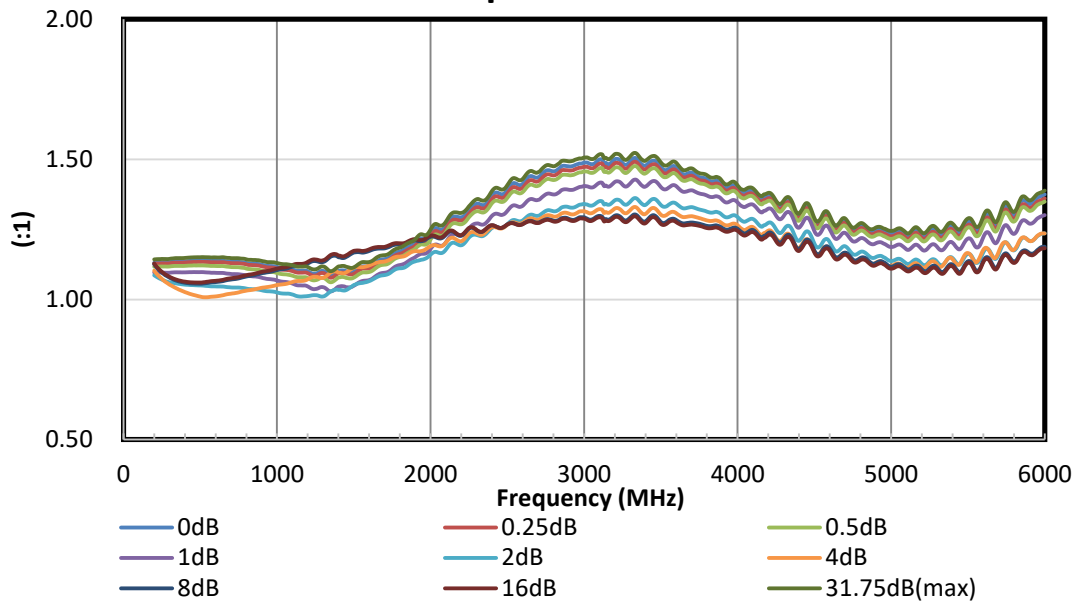
Attenuation Relative to Insertion Loss



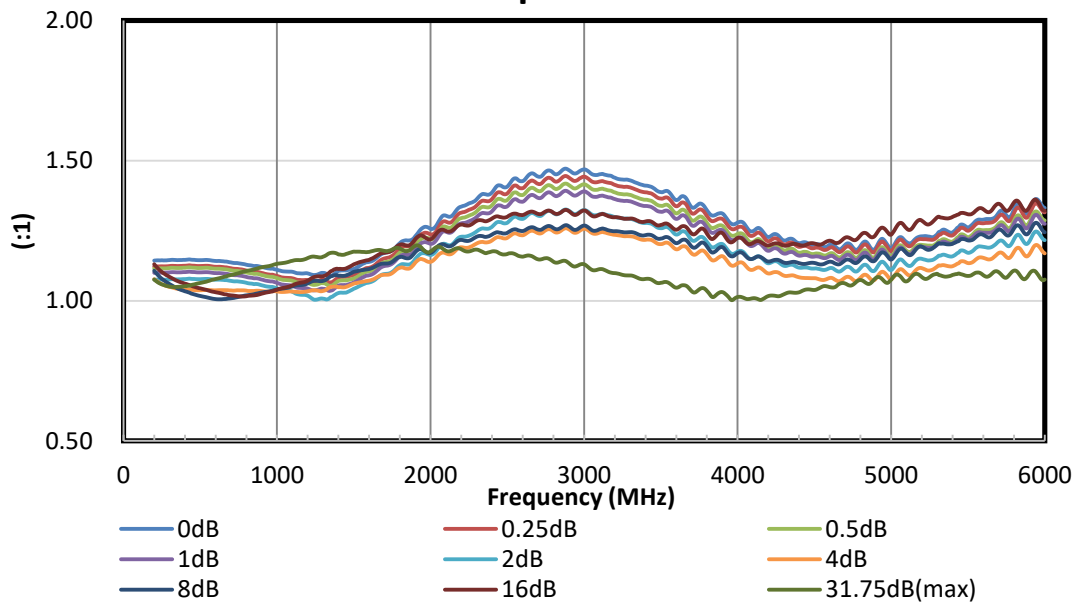
Insertion Loss

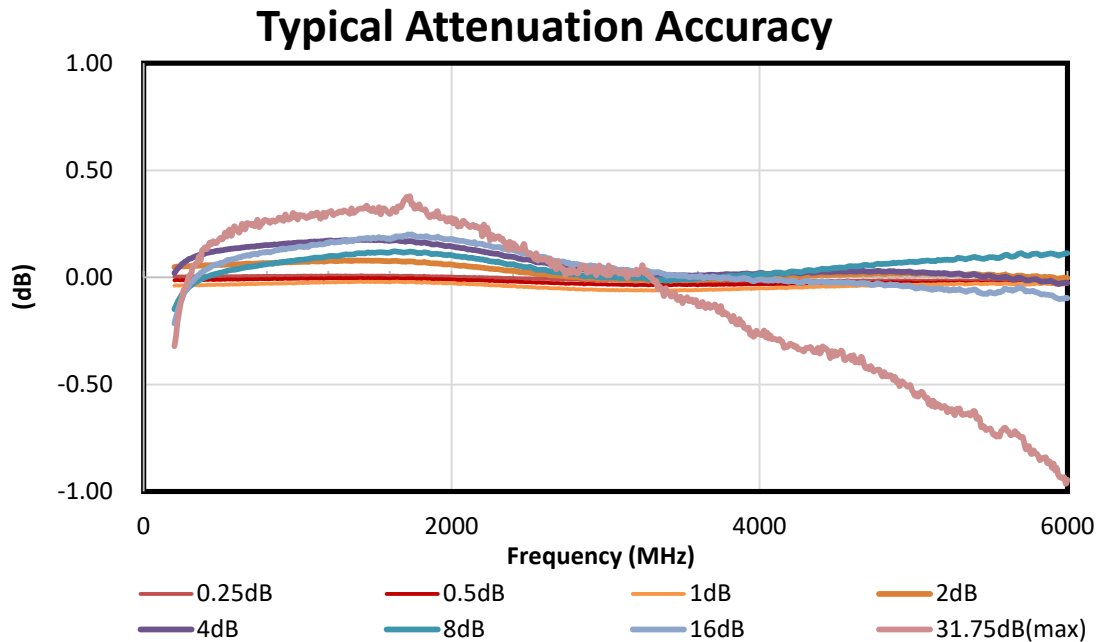


Input VSWR



Output VSWR





Typical performance S-parameter file: <https://www.amtery.com/en/goods-79>

For each S/N S-parameter file, go to <https://www.amtery.com/en/downloads>

Note: Specifications are subject to change without notice.